

DRACO® DIGITAL INDOOR/OUTDOOR TV ANTENNA

Model No.: ANT-500

Introduction:

This is a special designed antenna for digital terrestrial TV broadcasting reception. It is the best solution for home reception and digital portable TV reception. The antenna is an active antenna that can be used with TV or digital receiver which can be powered by coaxial cable or external power adaptor. Accessories for wall or pole mounting are included. With the anti-UV and water proof housing, it can be used both indoor and outdoor.

Technical Data:

Frequency range: VHF: 87.5-230MHz;UHF:470-862MHz

Gain: 28dB

Max. Output level: 100dBμV

Power supply: by digital receiver(DC 5V 40mA) or via AC/DC adapter (DC 12V 50mA)

Impedance: 75Ω

Connector: F connector

Noise figure: ≤3dB

Receiving range: FM/VHF/UHF

Included in Package:

Before installation, please check the contents. ①

1. Antenna main unit
2. Wall/pole mounting accessories
3. AC/DC power adapter
4. DC power insert
5. Coaxial cable



Product Features:

SMD circuit technology design

Stylish and compact size design

Shielded for minimum interference.

Built-in high gain and low noise amplifier

Portable for mobile use (camping, boating, etc)

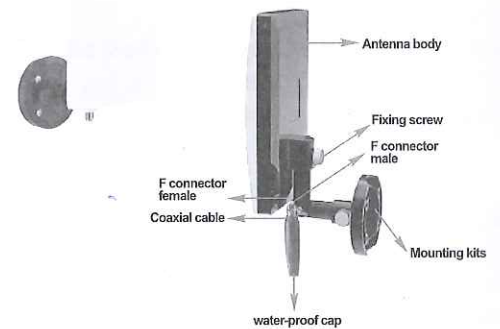
Anti-UV coating and waterproof design for durability

Specially Compatible with HDTV of various digital terrestrial signal (DVB-T,DVB-T2,ISDB-T,DMB-T/H, ATSC) and DAB/FM radios.

Operation Instruction:

For the best reception, please check the following conditions

1. Keep the antenna away from the sources of interference and those big power consumption devices, such as air conditioner, elevator, hair dryer and microwave oven...etc.
2. Place the antenna near windows when use the antenna in indoor environment.
3. Install the antenna as high as possible: in digital terrestrial reception, if there are some interceptions between antenna and transmission tower, it will cause the signal loss temporarily. So if the antenna is installed as high as possible, those interceptions will be reduced.



Mounting the antenna:

This antenna can be used outdoor, with the included mounting accessories,it can be mounted on the wall or the pole.

(Fig.1) Use the pole mounting accessories to fix the antenna on the pole.

(Fig.2) Use the wall mounting accessories to fix the antenna on the wall

Fig.1

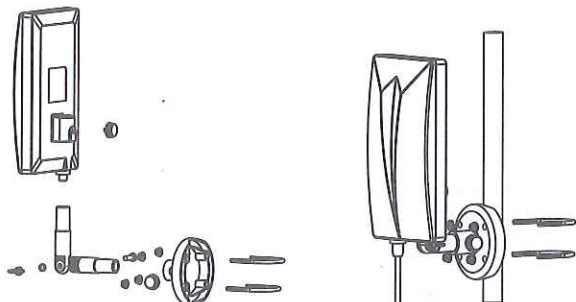


Fig.2

